

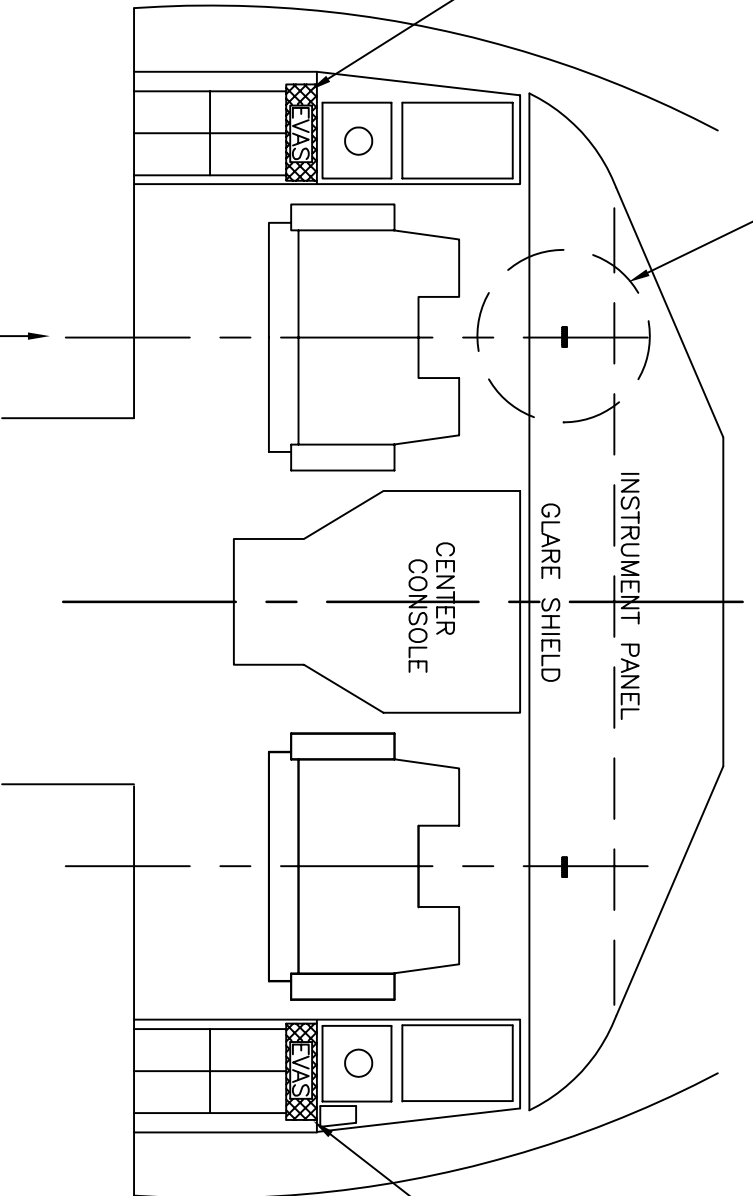
NOTES: UNLESS OTHERWISE SPECIFIED

SEE SHEET 4 of 4

EVAS MODEL  
107STC-027  
DRAWING 6085

EVAS MODEL  
107STC-028  
DRAWING 6085

CENTERLINE OF PILOT SEAT  
AND CONTROL WHEEL



REVISIONS			
REV.	DESCRIPTION	DATE	APPROVAL
A	REVISED EVAS MOUNTING	06/28/03	HEW

ITEM NO.	QTY	FSCM NO.	PART OR IDENTIFYING NO.	NOMENCLATURE OR DESCRIPTION	MATERIAL SPECIFICATION	NOTE
UNLESS OTHERWISE SPECIFIED DIMENSIONS ARE IN INCHES. TOLERANCES ARE FRACTIONS DECIMALS ANGLES						
PARTS LIST						
CONTRACT NO.				VISION SAFE CORPORATION P.O.Box 5011 Kaneohe, HI 96744-5011 (USA)		
MATERIAL				APPROVALS	DATE	BOEING 737-300, 400, 500 INSTALLATION
FINISH				IRAWAN HEW	09/08/99	
NEXT ASSY				CHECKED		
APPLICATION				ENG		
DD NOT SCALE DRAWING				Q.A.		
SCALE NONE				LOCATION	6086001A	SHEET 1 of 5

2

1

A

B

SH	REV
2	A

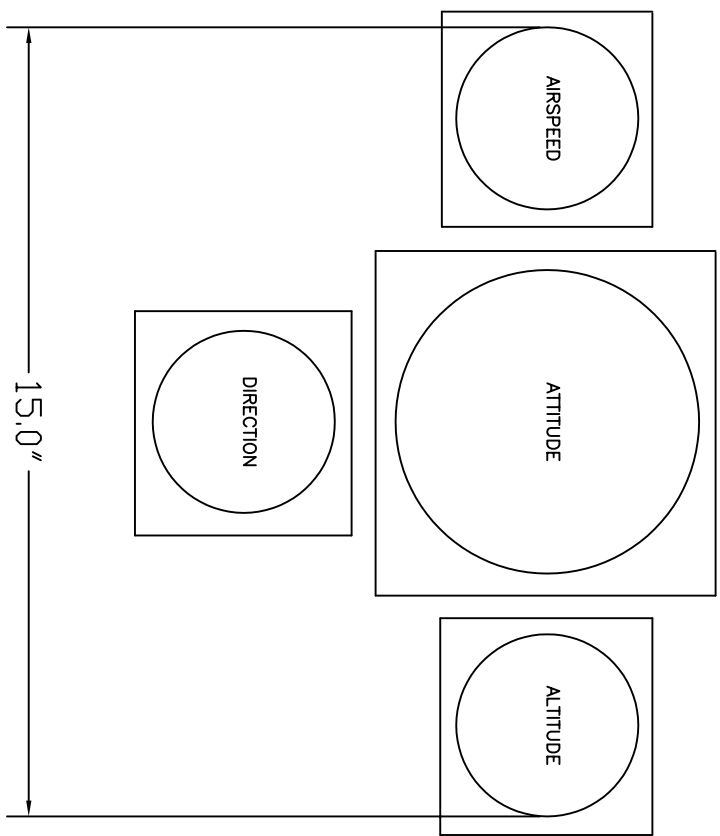
SIZE	DWG NO.
B	6086

B

A

## INSTALLATION OF EVAS IN BOEING 737-300, 737-400 & 737-500.

NOTE: BEFORE INSTALLING EVAS, MEASURE THE HORIZONTAL WIDTH OF THE INSTRUMENT CLUSTER TO BE COVERED BY EVAS (SEE SKETCH BELOW). THIS INSTRUMENT CLUSTER WIDTH MUST NOT EXCEED THE DIMENSION SHOWN. IF THE CLUSTER WIDTH DOES EXCEED THE DIMENSION SHOWN, CONTACT VISION SAFE CORP. FOR AN APPROPRIATE INFLATABLE VISION UNIT.



2

1

2

1

SIZE	FORM NO.	DRG. NO.	REV.
B		6086	A
SCALE	LOCATION	SHEET 2 of 5	
	6086002A		

A

B

SH 3  
REV A

SIZE B  
DVG NO. 6086

2

1

### INSTALLATION OF EVAS

#### VELCORD

1. CLEAN THE GLARE SHIELD TOP SURFACE FROM THE AFT EDGE FORWARD 5", AND 3" TO EACH SIDE OF THE LONGITUDINAL CENTERLINE THROUGH THE CONTROL WHEEL.
2. CEMENT 1"x5" LOOP VELCORD TO THE GLARE SHIELD. LOCATE THE VELCORD AS SHOWN ON SHEET 4 of 5. USE DEVCON TWO-TON EPOXY CEMENT.

EVAS UNIT

REFER TO SHEET 5 of 5 FOR INSTALLATION INSTRUCTIONS.

#### DOCUMENTATION

- A. ADD THE FAA APPROVED AIRPLANE FLIGHT MANUAL SUPPLEMENT TO THE AFM.
- B. RECORD THE INSTALLATION IN THE AIRCRAFT RECORDS AND RETURN THE AIRPLANE TO SERVICE WITH A FAA FORM 337, RECORDING INCORPORATION OF STC NO. ST00892LA.

SIZE	FSCM NO.	DRG NO.	REV.
B		6086	A
SCALE	LOCATION	SHEET 3 of 5	
	6086003A		

2

1

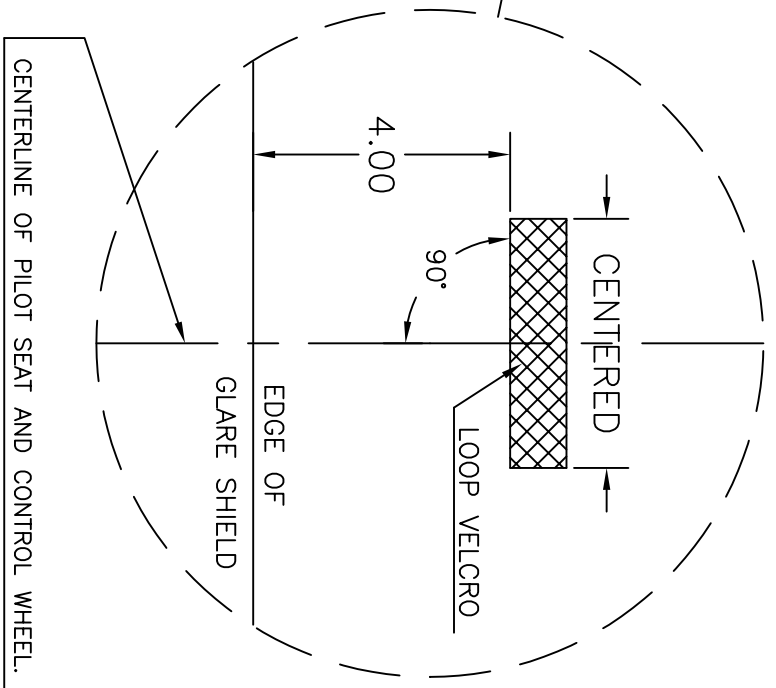
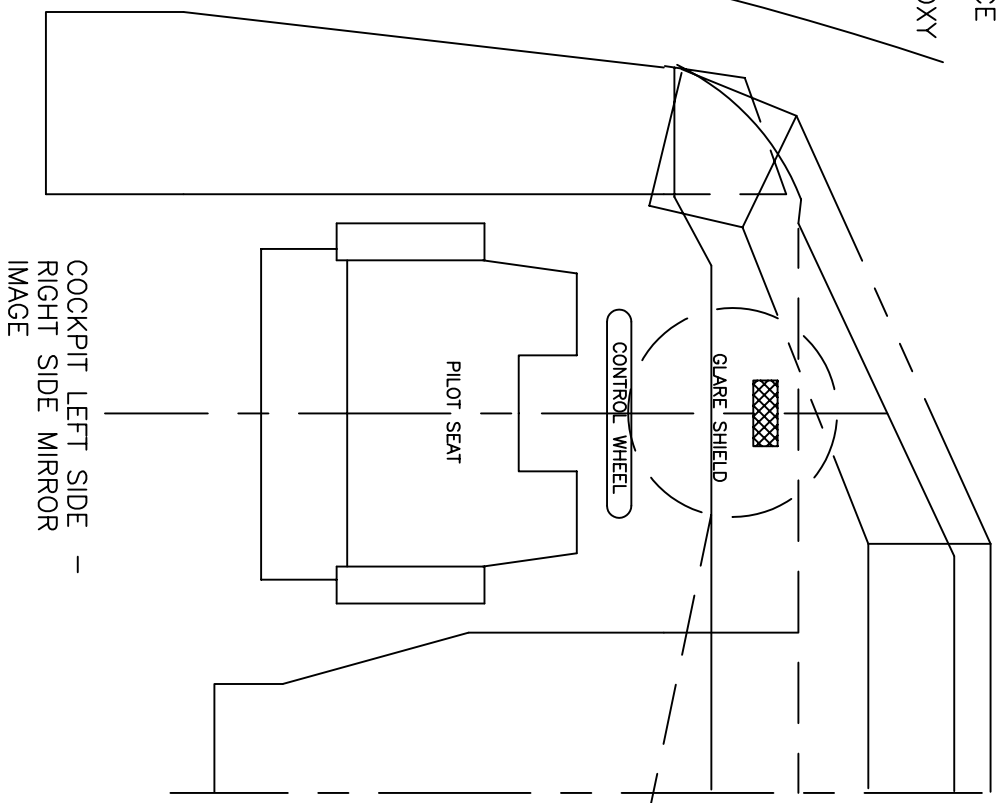
A

B

A

B

1. CLEAN SURFACE
2. USE DEVCON TWO TON EPOXY

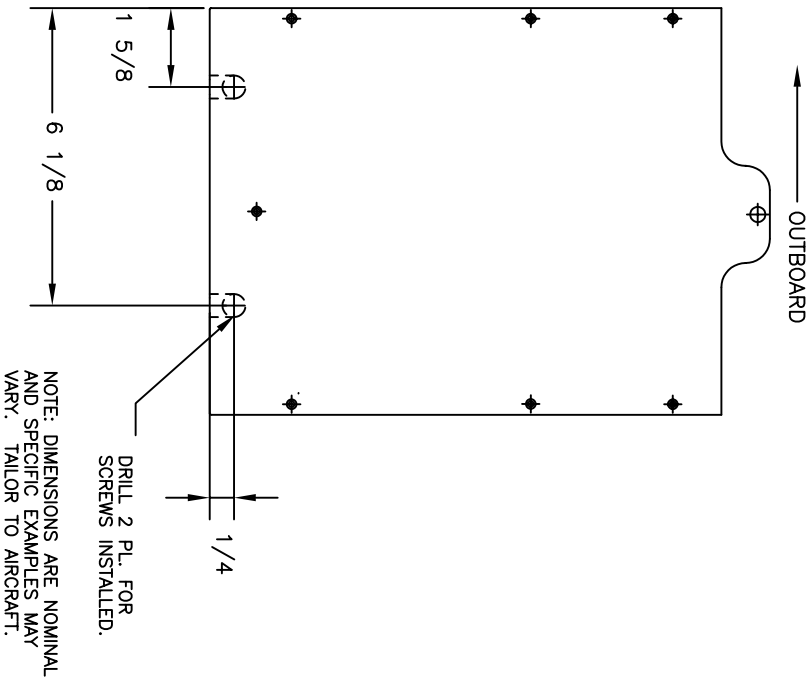


IVU VELCRO INSTALLATION

THE INFORMATION CONTAINED HEREIN IS PROPRIETARY AND CONFIDENTIAL TO VISION SAFE CORP., AND SHALL NOT BE DISCLOSED OR COPIED, IN WHOLE OR IN PART WITHOUT THE WRITTEN CONSENT OF VISION SAFE CORP.

2

VIEW FORWARD, PILOT SIDE.  
1ST OFFICER SIDE IS MIRROR IMAGE.



NOTE: DIMENSIONS ARE NOMINAL  
AND SPECIFIC EXAMPLES MAY  
VARY. TAILOR TO AIRCRAFT.

THE INFORMATION CONTAINED HEREIN IS PROPRIETARY  
AND CONFIDENTIAL TO VISION SAFE CORP., AND SHALL  
NOT BE DISCLOSED OR COPIED, IN WHOLE OR IN PART  
WITHOUT THE WRITTEN CONSENT OF VISION SAFE CORP.

1

**EVAS INSTALLATION:**

1. EVAS IS TO BE MOUNTED ON THE AFT END OF THE SIDE CONSOLE, USING TWO EXISTING SCREWS THAT ARE JUST ABOVE FLOOR LEVEL, AND ONE NEW SCREW NEAR THE TOP OF THE CONSOLE SURFACE.
2. MATCH DRILL THE EVAS SIDE PLATE TO THE EXISTING SCREWS AT FLOOR LEVEL IN THE CONSOLE. DIAMETER TO SUIT THE SCREW SIZE.
- TO FACILITATE SUBSEQUENT REMOVAL AND REPLACEMENT SLOTS MAY BE CUT FROM THE HOLES TO THE BOTTOM EDGE.
3. MOUNT EVAS ON THE TWO SCREWS AND MARK THE LOCATION OF THE TOP MOUNTING HOLE.
4. GAIN ACCESS TO THE SIDE CONSOLE INTERIOR AND CHECK FOR CLEARANCE FOR THE DRILL AND SCREW.
5. DRILL THE MOUNTING HOLE THROUGH THE CONSOLE SURFACE.
6. MOUNT EVAS TO THE CONSOLE USING THREE MACHINE SCREWS.

**IMPORTANT:** CONTACT VISION SAFE CORPORATION  
IF ANY DEVIATION FROM THE APPROVED DRAWINGS  
IN LOCATION OR INSTALLATION IS NEEDED.

A

B

A

B

2

1