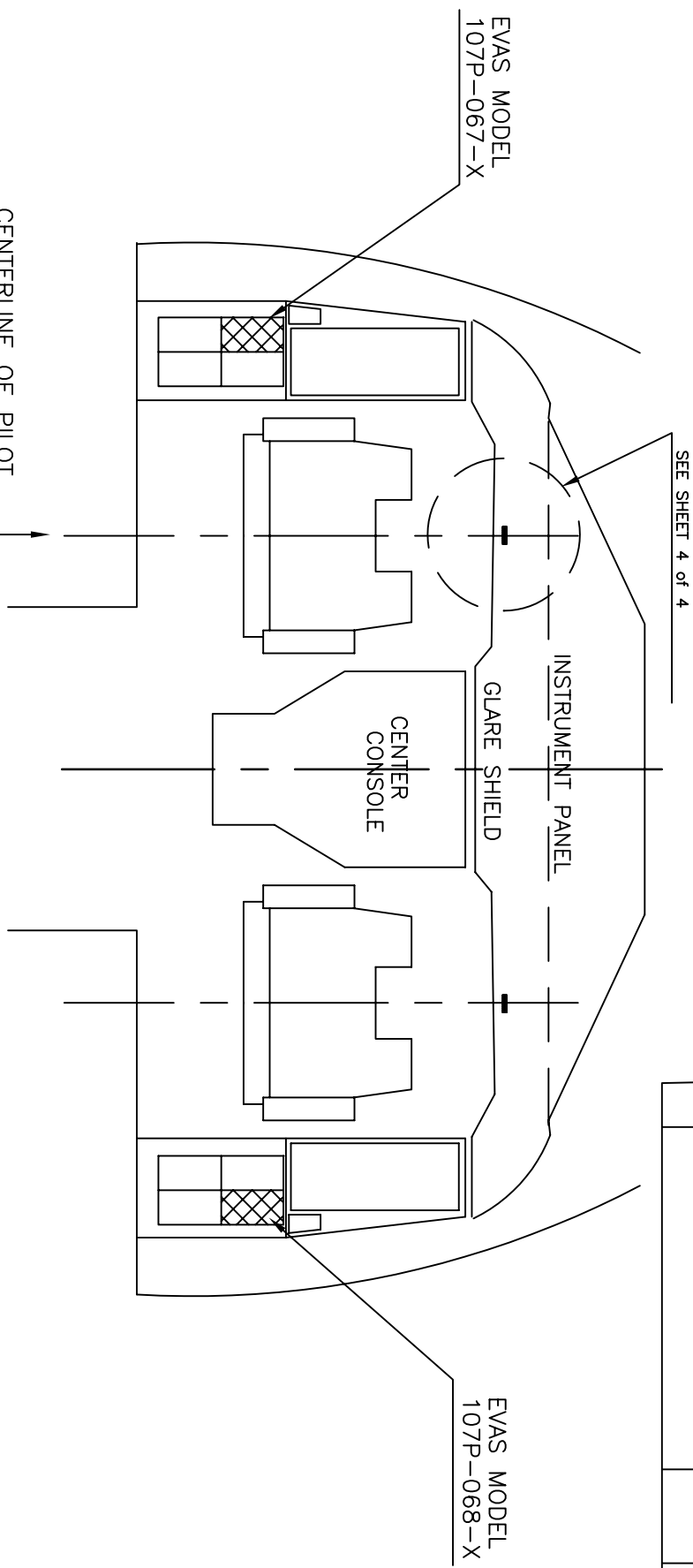


NOTES: UNLESS OTHERWISE SPECIFIED  
 1. COCKPIT DESIGN IS GENERIC AND NOT AIRCRAFT SPECIFIC  
 2. -X REFERS TO ALL 107P-067 & -068 SUB MODELS



REVISIONS			
REV	DESCRIPTION	DATE	APPROVAL

ITEM NO.	QTY	FSCM NO.	PART OR IDENTIFYING NO.	NOMENCLATURE OR DESCRIPTION	MATERIAL SPECIFICATION	NOTE
UNLESS OTHERWISE SPECIFIED DIMENSIONS ARE IN INCHES. TOLERANCES ARE FRACTIONS DECIMALS ANGLES						
CONTRACT NO.			PARTS LIST			
MATERIAL			VISION SAFE CORPORATION			
FINISH			P.O.Box 5011 Kaneohe, HI 96744-5011 (USA)			
G.A.			EVAS MODEL 107P-067-X & -068-X			
APPROVALS			INSTALLATION: VARIOUS RAYTHEON/BEECH			
DRAWN			SIZE FSCM NO.			
CHECKED			DIRG.ND.			
ENG			6029			
SCALE			NONE			
LOCATION			6029001-			
SHEET			1 of 4			

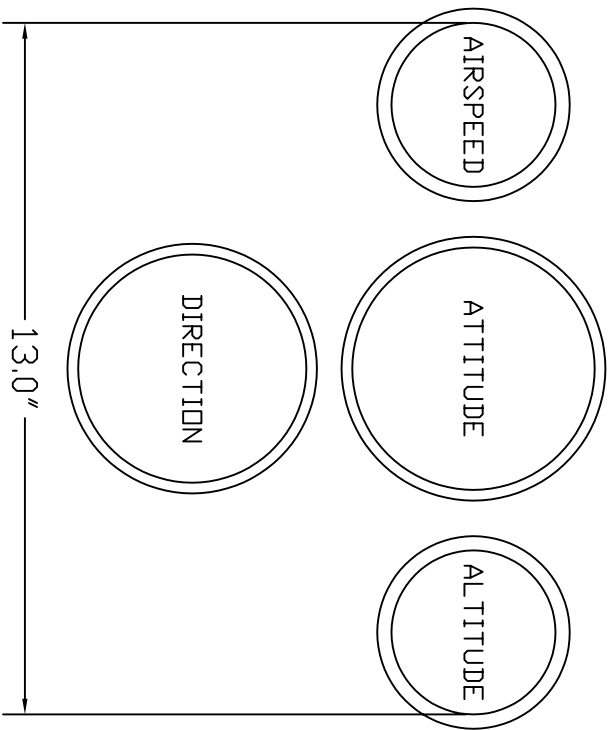
END	VISIONSAFE
NEXT ASSY	MDL 156
APPLICATION	USED DN

2 1

# INSTALLATION OF EVAS 107P-067-X & 107P-068-X

NOTE: BEFORE INSTALLING EVAS, MEASURE THE HORIZONTAL WIDTH OF THE INSTRUMENT CLUSTER TO BE COVERED BY EVAS (SEE SKETCH BELOW).

THIS INSTRUMENT CLUSTER WIDTH MUST NOT EXCEED THE MAXIMUM MEASUREMENT SHOWN. IF THE WIDTH DOES EXCEED THE MEASUREMENT SHOWN, CONTACT VISION SAFE CORP FOR AN APPROPRIATE INFLATABLE VISION UNIT.



NOTE:  
THE INSTRUMENT PRESENTATION SHOWN REPRESENTS FUNCTIONS ONLY, AND IS NOT INTENDED TO BE AN ACCURATE REPRESENTATION OF ANY INSTALLATION. EVAS IS INTENDED TO COVER ONLY THE BASIC FLIGHT INSTRUMENTS.

SIZE	FSCM NO.	DRG NO.	REV.
B		6029	-
SCALE	LOCATION	SHEET 2 of 4	
	6029002-		

2 1

A

B

A

B

2 1

### INSTALLATION OF EVAS 107P-067-X & -068-X

#### EVAS UNIT

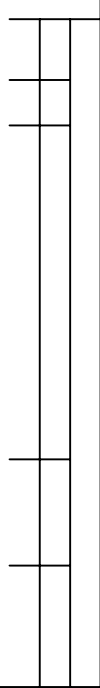
1. EVAS MODELS 107P-067-X & -068-X ARE DESIGNED TO FIT THE PILOT FLIGHT DATA CASE WITHOUT ALTERATION. AS THE EVAS IS SELF-CONTAINED, NO ADDITIONAL INSTALLATION IS NEEDED.
2. THE INDICATED LOCATION IS A SUGGESTION. AS EVAS IS LOOSE EQUIPMENT, IT MAY BE STORED IN ANOTHER CONVENIENT LOCATION ACCESSIBLE TO THE PILOT. HOWEVER, PRIOR TO DEPLOYING EVAS, THE UNIT MUST BE ON THE OUTBOARD SIDE OF THE PILOT AND WITHIN ARMS REACH OF THE GLARE SHIELD.

#### VELCRD

1. CLEAN THE GLARE SHIELD TOP SURFACE FROM THE AFT EDGE FORWARD 5', AND 3' TO EACH SIDE OF THE LONGITUDINAL CENTERLINE THROUGH THE CONTROL WHEEL.
2. CEMENT 1'x5" LOOP VELCRD TO THE GLARE SHIELD. LOCATE THE VELCRD AS SHOWN ON SHEET 4 OF 4. USE DEVCON TWO-TON EPOXY CEMENT.

#### DOCUMENTATION

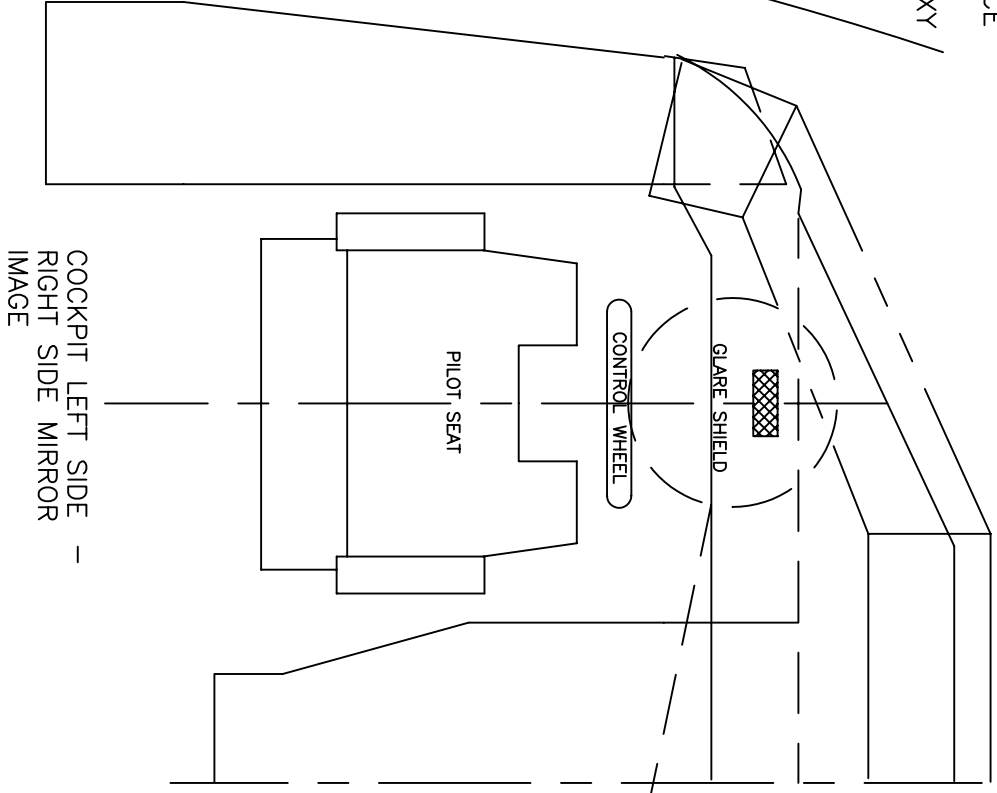
1. IN THE OPERATING MANUAL, FLIGHT MANUAL, OR CHECK LIST, AS APPROPRIATE, ADD "DEPLOY EVAS" TO EACH SMOKE EMERGENCY PROCEDURE. USE PERMANENT METHODS COMMENSURATE WITH THE ORIGINAL DOCUMENT, SUCH AS TYPEWRITTEN, PLASTIC-COATED LABEL, ETC.



A B 2 1

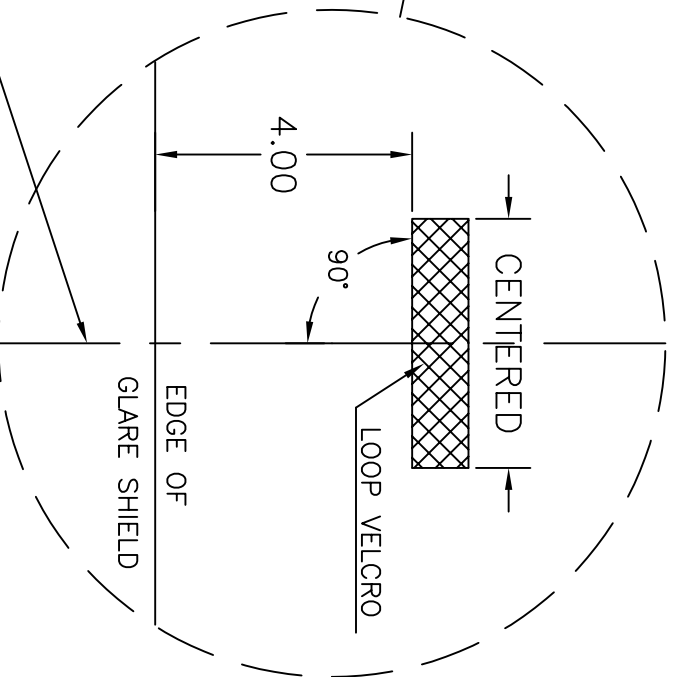
SIZE	FSCM NO.	DRG NO.	6029	REV.	-
B					
SCALE	LOCATION	6029003-	SHEET 3 of 4		

- NOTE:
1. CLEAN SURFACE
  2. USE DEVCON TWO TON EPOXY



THE INFORMATION CONTAINED HEREIN IS PROPRIETARY AND CONFIDENTIAL TO VISION SAFE CORP., AND SHALL NOT BE DISCLOSED OR COPIED, IN WHOLE OR IN PART WITHOUT THE WRITTEN CONSENT OF VISION SAFE CORP.

IVU VELCRO INSTALLATION



NOTE: CENTERLINE OF PILOT SEAT, CONTROL WHEEL AND PRIMARY FLIGHT INSTRUMENTS. NOTE: GLARE SHIELD EDGE ANGLE IS NOT AIRCRAFT SPECIFIC. VELCRO CENTER SHOULD BE AS INDICATED.