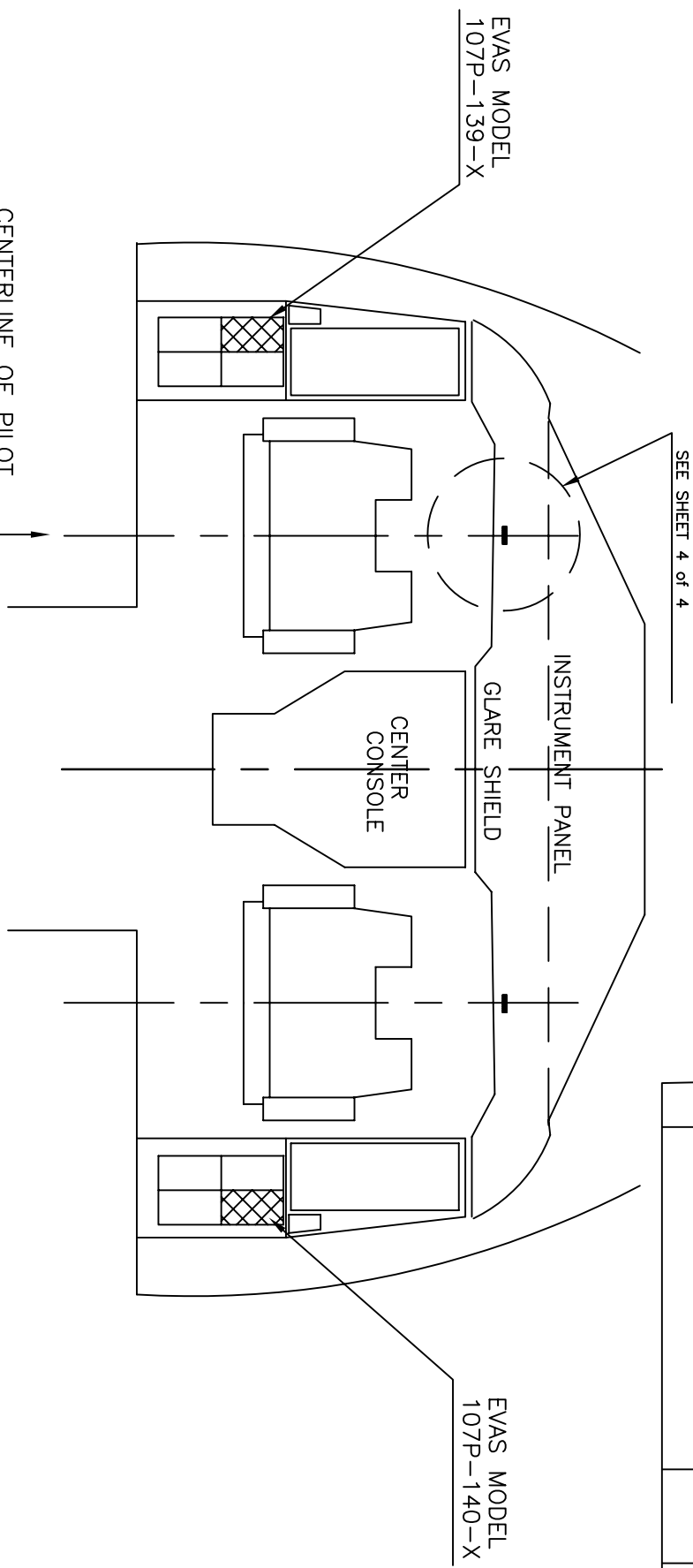


NOTES: UNLESS OTHERWISE SPECIFIED
 1. COCKPIT DESIGN IS GENERIC AND NOT AIRCRAFT SPECIFIC
 2. -X REFERS TO ALL 107P-139 & -140 SUB MODELS



REVISIONS			
REV	DESCRIPTION	DATE	APPROVAL

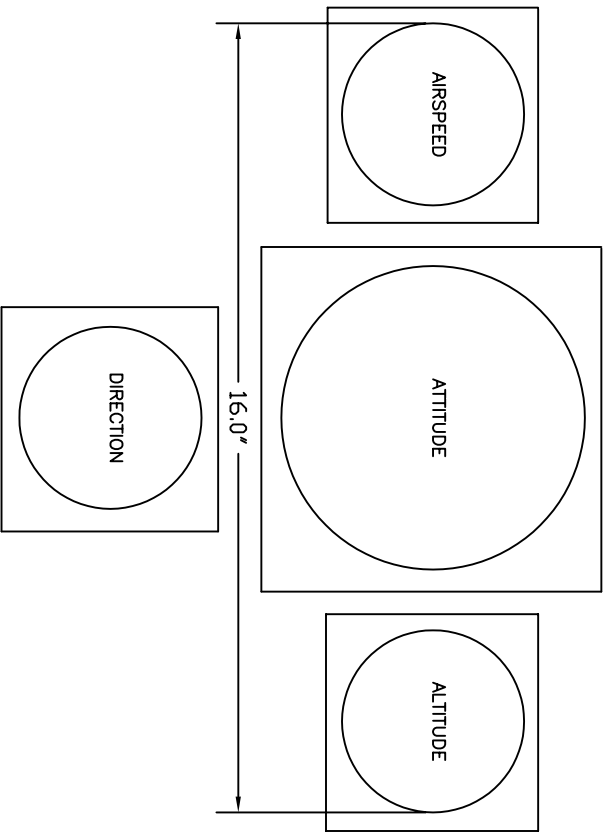
ITEM NO.	QTY	FSCM NO.	PART OR IDENTIFYING NO.	NOMENCLATURE OR DESCRIPTION	MATERIAL SPECIFICATION	NOTE
UNLESS OTHERWISE SPECIFIED DIMENSIONS ARE IN INCHES. TOLERANCES ARE FRACTIONS DECIMALS ANGLES						
PARTS LIST						
CONTRACT NO.				VISION SAFE CORPORATION		
APPROVALS				P.O.Box 5011 Kaneohe, HI 96744-5011 (USA)		
DRAWN				EVAS MODEL 107P-139-X & -140-X		
CHECKED				INSTALLATION: VARIOUS GULFSTREAM		
ENG'G				SCALE NONE		
G.A.				LOCATION 6022001-		
MATERIAL				SIZE FSCM NO.		
FINISH				DRG NO. 6022		
NEXT ASSY				REV. -		
APPLICATION				SHEET 1 of 4		

REVISIONS				
ZONE	LTR	DESCRIPTION	DATE	APPROVAL

INSTALLATION OF EVAS 107P-139-X & -140-X

NOTE: BEFORE INSTALLING EVAS, MEASURE THE HORIZONTAL WIDTH OF THE INSTRUMENT CLUSTER TO BE COVERED BY EVAS (SEE SKETCH BELOW).

THIS INSTRUMENT CLUSTER WIDTH MUST NOT EXCEED THE WIDTH INDICATED BELOW. IF THE WIDTH DOES EXCEED THAT MEASUREMENT, CONTACT VISION SAFE CORP. FOR AN APPROPRIATE INFLATABLE VISION UNIT.



2

1

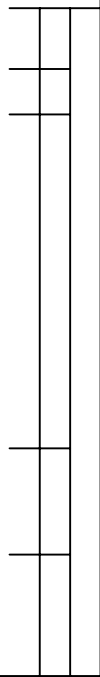
SIZE	FSCM NO.	DRG NO.	6022	REV.	-
B					
SCALE	LOCATION	6022002-	SHEET 2 of 4		

REV	1
SH	3

SIZE	B
DRG NO	6022
REV	-

2

1



INSTALLATION OF EVAS 107P-139-X & -140-X

EVAS UNIT

1. EVAS MODELS 107P-139-X & -140-X ARE DESIGNED TO FIT THE PILOT FLIGHT DATA CASE WITHOUT ALTERATION. AS THE EVAS IS SELF-CONTAINED, NO ADDITIONAL INSTALLATION IS NEEDED.
2. THE INDICATED LOCATION IS A SUGGESTION. AS EVAS IS LOOSE EQUIPMENT, IT MAY BE STORED IN ANOTHER CONVENIENT LOCATION ACCESSIBLE TO THE PILOT. HOWEVER, PRIOR TO DEPLOYING EVAS, THE UNIT MUST BE ON THE OUTBOARD SIDE OF THE PILOT AND WITHIN ARMS REACH OF THE GLARE SHIELD.

VELCRD

1. CLEAN THE GLARE SHIELD TOP SURFACE FROM THE AFT EDGE FORWARD 5', AND 3' TO EACH SIDE OF THE LONGITUDINAL CENTERLINE THROUGH THE CONTROL WHEEL.
2. CEMENT 1'x5" LOOP VELCRD TO THE GLARE SHIELD. LOCATE THE VELCRD AS SHOWN ON SHEET 4 OF 5. USE DEVCON TWO-TON EPOXY CEMENT.

DOCUMENTATION

1. IN THE OPERATING MANUAL, FLIGHT MANUAL, OR CHECK LIST, AS APPROPRIATE, ADD "DEPLOY EVAS" TO EACH SMOKE EMERGENCY PROCEDURE. USE PERMANENT METHODS COMMENSURATE WITH THE ORIGINAL DOCUMENT, SUCH AS TYPEWRITTEN, PLASTIC-COATED LABEL, ETC.

SIZE	FSCM NO.	DRG NO.	6022	REV.	-
B					
SCALE	LOCATION	6022003-	SHEET	3	of 4

2

1

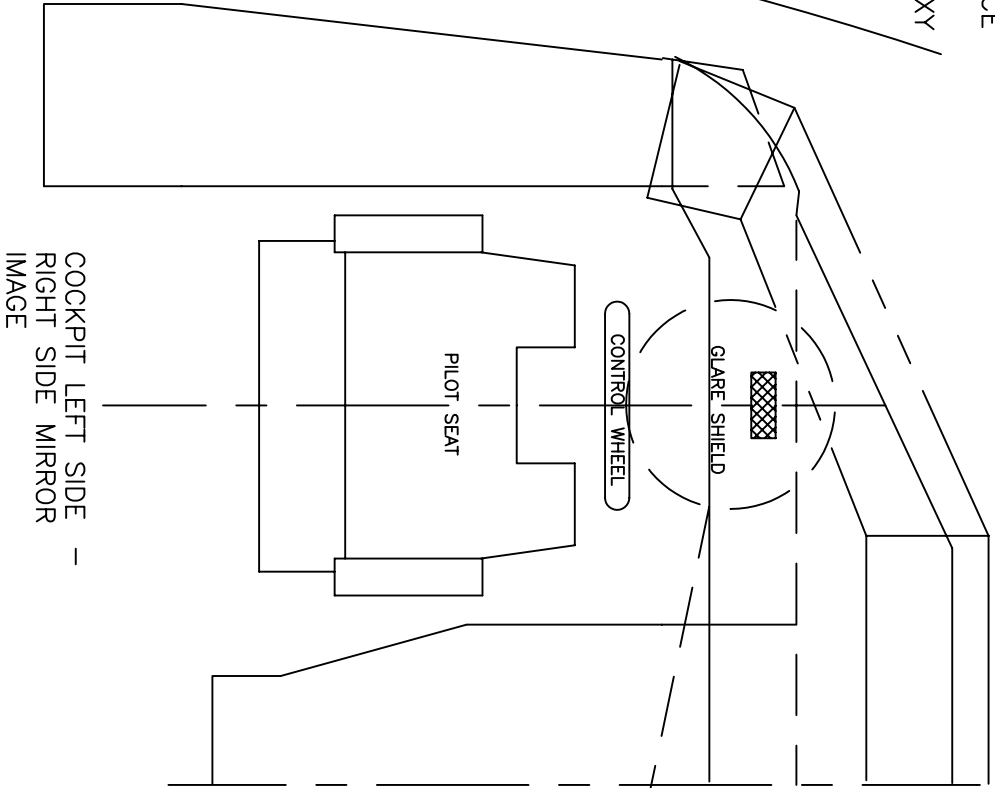
A

B

A

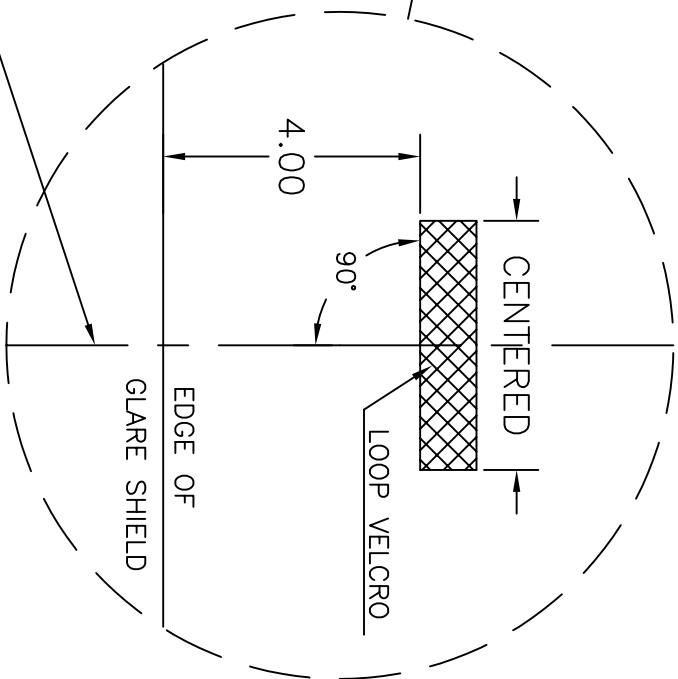
B

- NOTE:
1. CLEAN SURFACE
 2. USE DEVCON TWO TON EPOXY



THE INFORMATION CONTAINED HEREIN IS PROPRIETARY AND CONFIDENTIAL TO VISION SAFE CORP., AND SHALL NOT BE DISCLOSED OR COPIED, IN WHOLE OR IN PART WITHOUT THE WRITTEN CONSENT OF VISION SAFE CORP.

IVU VELCRO INSTALLATION



NOTE: GLARE SHIELD EDGE ANGLE IS NOT AIRCRAFT SPECIFIC. VELCRO CENTER SHOULD BE AS INDICATED.

CENTERLINE OF PILOT SEAT, CONTROL WHEEL AND PRIMARY FLIGHT INSTRUMENTS.