

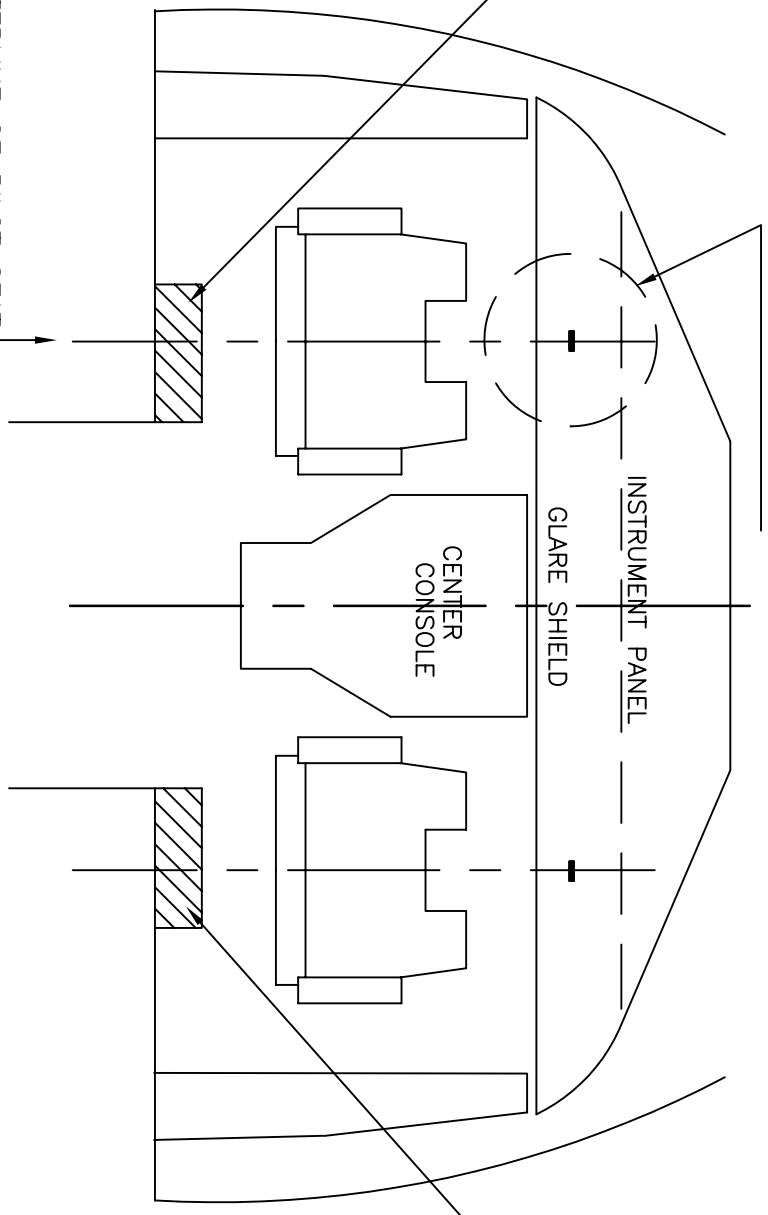
NOTES: UNLESS OTHERWISE SPECIFIED

SEE SHEET 4 of 4

EVAS MODEL  
107-47  
DRAWING 6107

EVAS MODEL  
107-48  
DRAWING 6107

CENTERLINE OF PILOT SEAT  
AND CONTROL WHEEL



REVISIONS			
REV.	DESCRIPTION	DATE	APPROVAL

ITEM NO.	QTY	FSCM NO.	PART OR IDENTIFYING NO.	NOMENCLATURE OR DESCRIPTION	MATERIAL SPECIFICATION	NOTE
UNLESS OTHERWISE SPECIFIED DIMENSIONS ARE IN INCHES. TOLERANCES ARE FRACTIONS DECIMALS ANGLES						
PARTS LIST						
CONTRACT NO.				VISION SAFE CORPORATION P.O. Box 5011 Kaneohe, HI 96744-5011 (USA)		
MATERIAL				GULFSTREAM II INSTALLATION		
APPROVALS				DATE		
DRAWN HEW				09/13/99		
CHECKED						
ENGR						
G.A.						
FINISH				SIZE FSCM NO. DRG. NO. 6108		
NEXT ASSY USED ON				SCALE NONE LOCATION 6108001- SHEET 1 of 4		
APPLICATION						

2

1

A

B

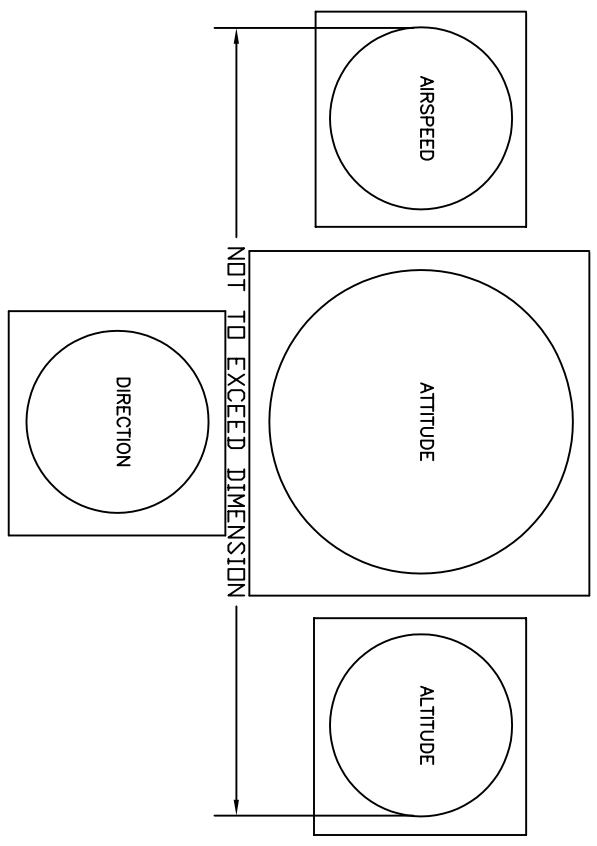
A

B

## INSTALLATION OF EVAS IN GULFSTREAM II

NOTE: BEFORE INSTALLING EVAS, MEASURE THE HORIZONTAL WIDTH OF THE INSTRUMENT CLUSTER TO BE COVERED BY EVAS (SEE SKETCH BELOW).

THIS INSTRUMENT CLUSTER WIDTH MUST NOT EXCEED 13" FDR THIS INSTALLATION. IF THE WIDTH EXCEEDS 13" CONTACT VISION SAFE CORP. FOR AN APPROPRIATE INFLATABLE VISION UNIT.



REVISIONS				
ZONE	LTR	DESCRIPTION	DATE	APPROVAL

SIZE	FSCM NO.	DRG. NO.	6108	REV.	-
B					
SCALE	LOCATION	6108002-	SHEET 2 of 4		

2

1

A

B

REVISIONS				
ZONE	LTR	DESCRIPTION	DATE	APPROVAL

2

1

### INSTALLATION OF EVAS

#### EVAS UNIT

EVAS IS STORED IN THE COMPARTMENT PREVIOUSLY USED FOR A NAVIGATION BOOK IMMEDIATELY FORWARD OF THE AFT COCKPIT PARTITION AND OUTBOARD OF THE AISLE, AND IS RESTRAINED BY THE SAME MEANS PREVIOUSLY APPROVED FOR THE NAVIGATION BOOK.

THIS COMPARTMENT FITS THE EVAS CONTAINER WELL, AND IS STRUCTURALLY APPROVED TO CONTAIN 10 POUNDS, WHICH EXCEEDS THE EVAS WEIGHT.

#### VELCRO

1. CLEAN THE GLARE SHIELD TOP SURFACE FROM THE AFT EDGE FORWARD 5", AND 3" TO EACH SIDE OF THE LONGITUDINAL CENTERLINE THROUGH THE CONTROL WHEEL.
2. CEMENT 1"x5" LOOP VELCRO TO THE GLARE SHIELD. LOCATE THE VELCRO AS SHOWN ON SHEET 4 OF 4. USE DEVCON TWO-TON EPOXY CEMENT.

### DOCUMENTATION

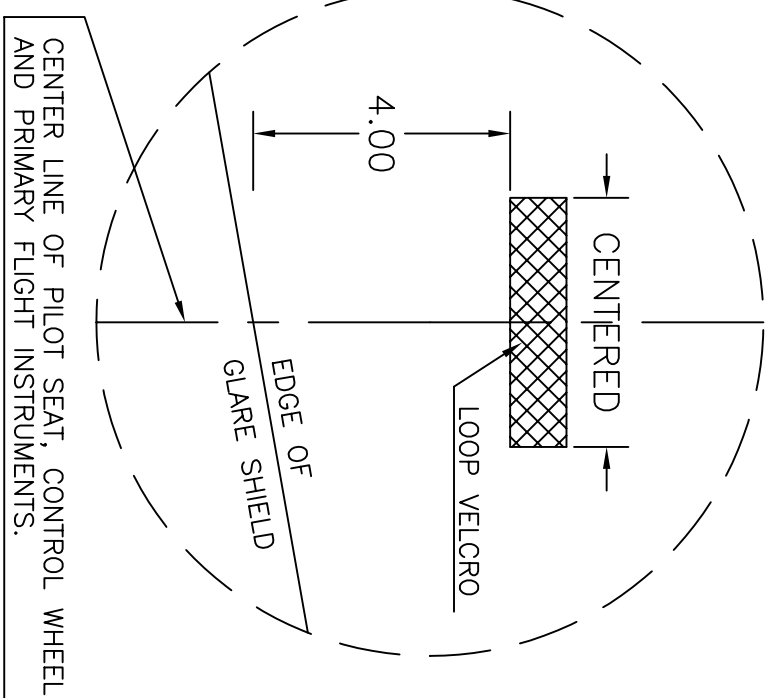
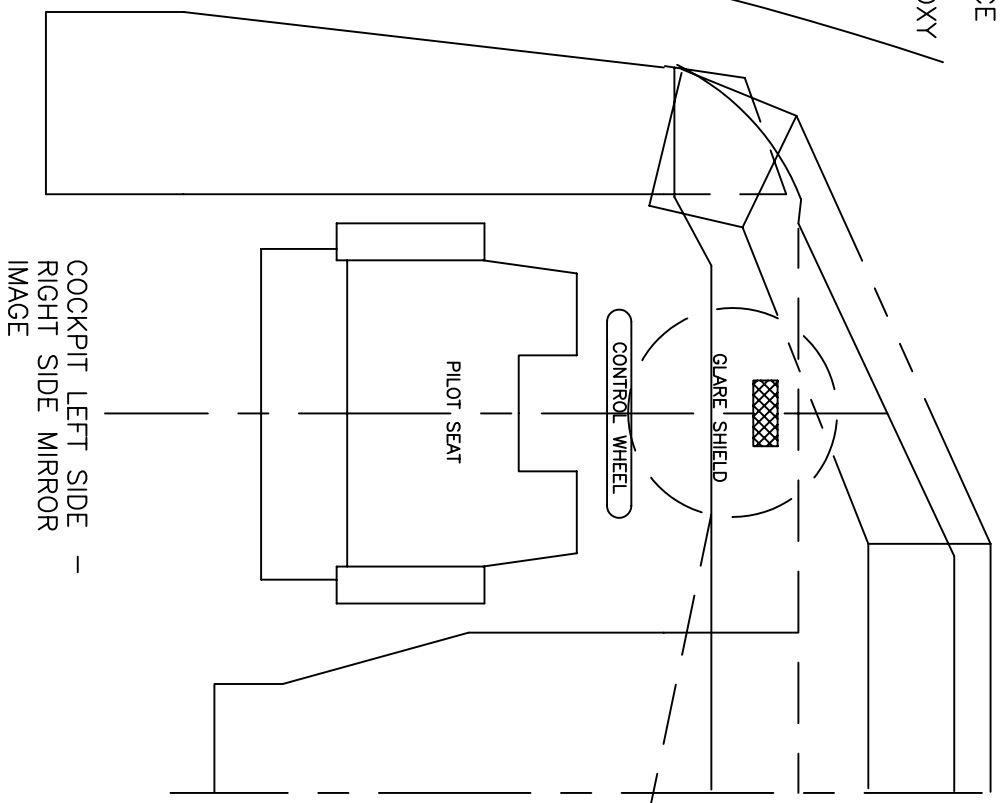
- A. IN THE OPERATING MANUAL, FLIGHT MANUAL, OR CHECK LIST, AS APPROPRIATE, ADD THE FOLLOWING TO EACH SMOKE EMERGENCY PROCEDURE:
  1. PERFORM THE AIRCRAFT EMERGENCY PROCEDURES CHECKLIST.
  2. AT THE PILOT'S DISCRETION, DEPLOY EVAS.
- B. USE PERMANENT METHODS COMMENSURATE WITH THE ORIGINAL DOCUMENT, SUCH AS TYPEWRITTEN, PLASTIC-COATED LABEL, ETC.

SIZE	FSCM NO.	DRG. NO.	6108	REV.
B				-
SCALE	LOCATION	6108003-	SHEET 3 of 4	

2

1

1. CLEAN SURFACE
2. USE DEVCON TWO TON EPOXY



IVU VELCRO INSTALLATION

THE INFORMATION CONTAINED HEREIN IS PROPRIETARY AND CONFIDENTIAL TO VISION SAFE CORP., AND SHALL NOT BE DISCLOSED OR COPIED, IN WHOLE OR IN PART WITHOUT THE WRITTEN CONSENT OF VISION SAFE CORP.