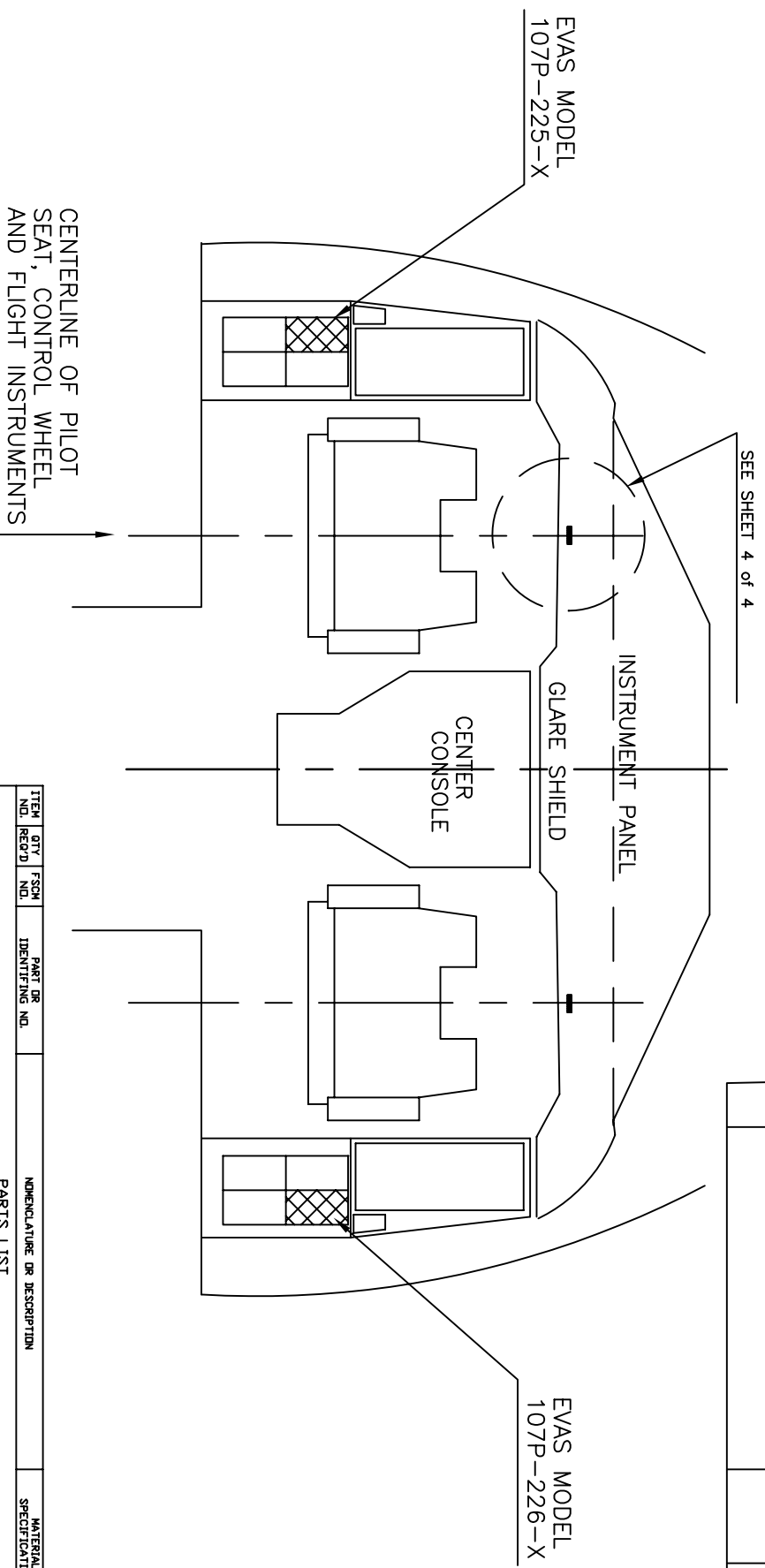


- NOTES: UNLESS OTHERWISE SPECIFIED
1. COCKPIT DESIGN IS GENERIC AND NOT AIRCRAFT SPECIFIC
 2. -X REFERS TO ALL 107P-225 & -226 SUB MODELS



REVISIONS

REV	DESCRIPTION	DATE	APPROVAL
A	UPDATED TITLE BLOCK, "USED ON", MODEL NUMBERS AND NOTES	01/03/05	CBKW

ITEM NO.	QTY	FSCM NO.	PART OR IDENTIFYING NO.	NOMENCLATURE OR DESCRIPTION	MATERIAL SPECIFICATION	NOTE
UNLESS OTHERWISE SPECIFIED DIMENSIONS ARE IN INCHES. TOLERANCES ARE FRACTIONS DECIMALS ANGLES						
PARTS LIST						

CONTRACT NO.	APPROVALS	DATE	VISION SAFE CORPORATION
	IRAWN CBKW	11/17/04	P.O.Box 5011 Kaneohe, HI 96744-5011 (USA)
	CHECKED		EVAS MODEL 107P-225-X & -226-X
	ENG		INSTALLATION: VARIOUS EMBRAER

VISIONSAFE	MATERIAL	FINISH	DD NOT SCALE DRAWING	Q.A.	SCALE NONE	LOCATION	6052001A	SHEET	1 of 4
MDL 153									
EMBRAER									
USED DN									
APPLICATION									

REV	A
SH	2

DWG NO.	6052
SIZE	B

2

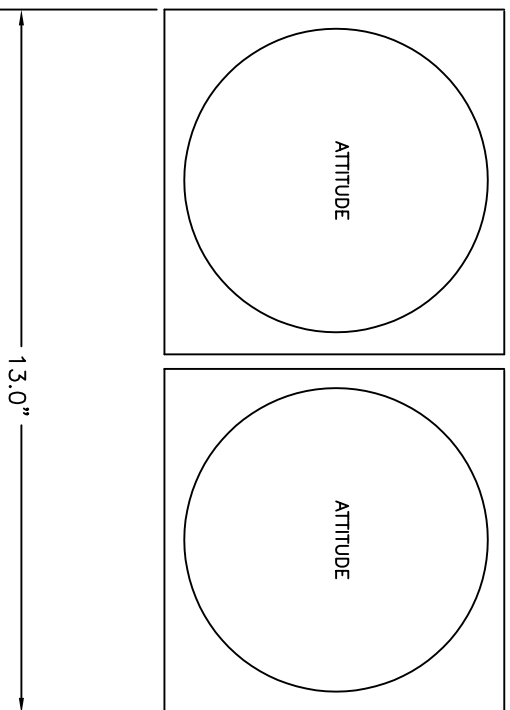
1

REVISIONS	
ZONE LTR	DESCRIPTION
	SEE SHEET 1

INSTALLATION OF EVAS 107P-225-X & -226-X

NOTE: BEFORE INSTALLING EVAS, MEASURE THE HORIZONTAL WIDTH OF THE INSTRUMENT CLUSTER TO BE COVERED BY EVAS (SEE SKETCH BELOW).

THIS INSTRUMENT CLUSTER WIDTH MUST NOT EXCEED THE VALUE SHOWN FOR THIS INSTALLATION. IF THE WIDTH EXCEEDS THE VALUE SHOWN, CONTACT VISION SAFE CORP. FOR AN APPROPRIATE INFLATABLE VISION UNIT.



A

B

A

B

THE INFORMATION CONTAINED HEREIN IS PROPRIETARY AND CONFIDENTIAL TO VISION SAFE CORP., AND SHALL NOT BE DISCLOSED OR COPIED, IN WHOLE OR IN PART WITHOUT THE WRITTEN CONSENT OF VISION SAFE CORP.

SIZE	FSCM NO.	DRG NO.	6052	REV.	A
B					
SCALE	LOCATION	6052002A	SHEET	2 of 4	

2

1

2 1

INSTALLATION OF EVAS 107P-225-X & -226-X

EVAS UNIT

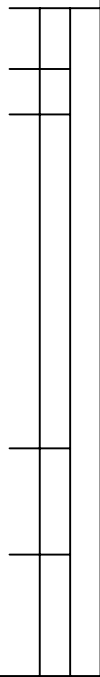
1. EVAS MODELS 107P-225-X & -226-X ARE DESIGNED TO FIT THE PILOT FLIGHT DATA CASE WITHOUT ALTERATION. AS THE EVAS IS SELF-CONTAINED, NO ADDITIONAL INSTALLATION IS NEEDED.
2. THE INDICATED LOCATION IS A SUGGESTION. AS EVAS IS LOOSE EQUIPMENT, IT MAY BE STORED IN ANOTHER CONVENIENT LOCATION ACCESSIBLE TO THE PILOT. HOWEVER, PRIOR TO DEPLOYING EVAS, THE UNIT MUST BE ON THE OUTBOARD SIDE OF THE PILOT AND WITHIN ARMS REACH OF THE GLARE SHIELD.

VELCRO

1. CLEAN THE GLARE SHIELD TOP SURFACE FROM THE AFT EDGE FORWARD 5', AND 3' TO EACH SIDE OF THE LONGITUDINAL CENTERLINE THROUGH THE CONTROL WHEEL.
2. CEMENT 1'x5' LOOP VELCRO TO THE GLARE SHIELD. LOCATE THE VELCRO AS SHOWN ON SHEET 4 OF 5. USE DEVCON TWO-TON EPOXY CEMENT.

DOCUMENTATION

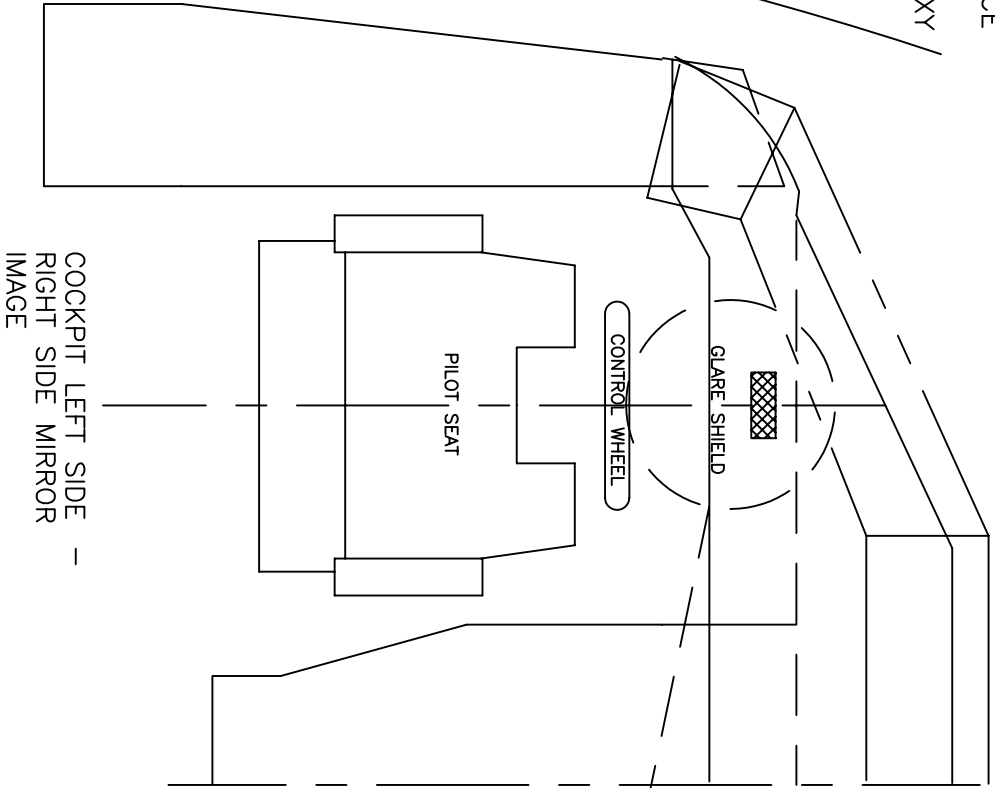
1. IN THE OPERATING MANUAL, FLIGHT MANUAL, OR CHECK LIST, AS APPROPRIATE, ADD "DEPLOY EVAS" TO EACH SMOKE EMERGENCY PROCEDURE. USE PERMANENT METHODS COMMENSURATE WITH THE ORIGINAL DOCUMENT, SUCH AS TYPEWRITTEN, PLASTIC-COATED LABEL, ETC.



2 1

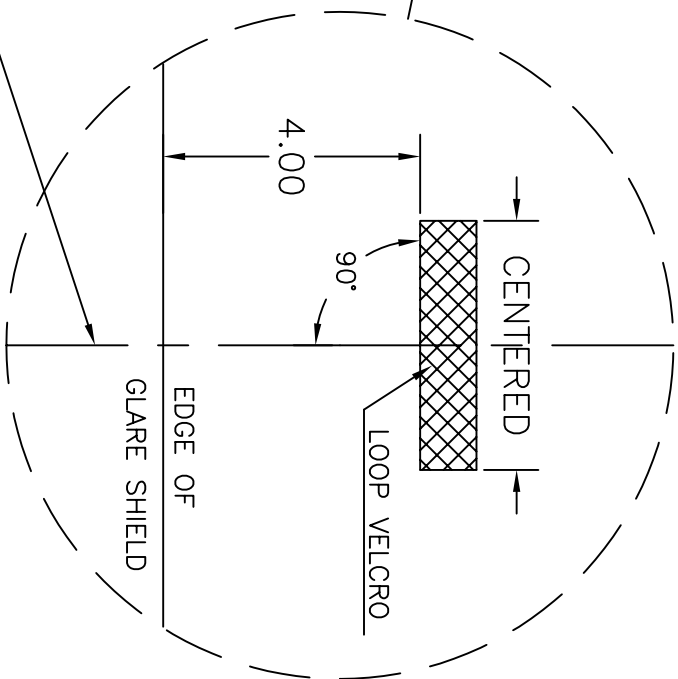
SIZE	FIG. NO.	DRG. NO.	REV.
B		6052	A
SCALE	LOCATION	SHEET	
	6052003A	3 OF 4	

- NOTE:
1. CLEAN SURFACE
 2. USE DEVCON TWO TON EPOXY



THE INFORMATION CONTAINED HEREIN IS PROPRIETARY AND CONFIDENTIAL TO VISION SAFE CORP., AND SHALL NOT BE DISCLOSED OR COPIED, IN WHOLE OR IN PART WITHOUT THE WRITTEN CONSENT OF VISION SAFE CORP.

IVU VELCRO INSTALLATION



NOTE: GLARE SHIELD EDGE ANGLE IS NOT AIRCRAFT SPECIFIC. VELCRO CENTER SHOULD BE AS INDICATED.