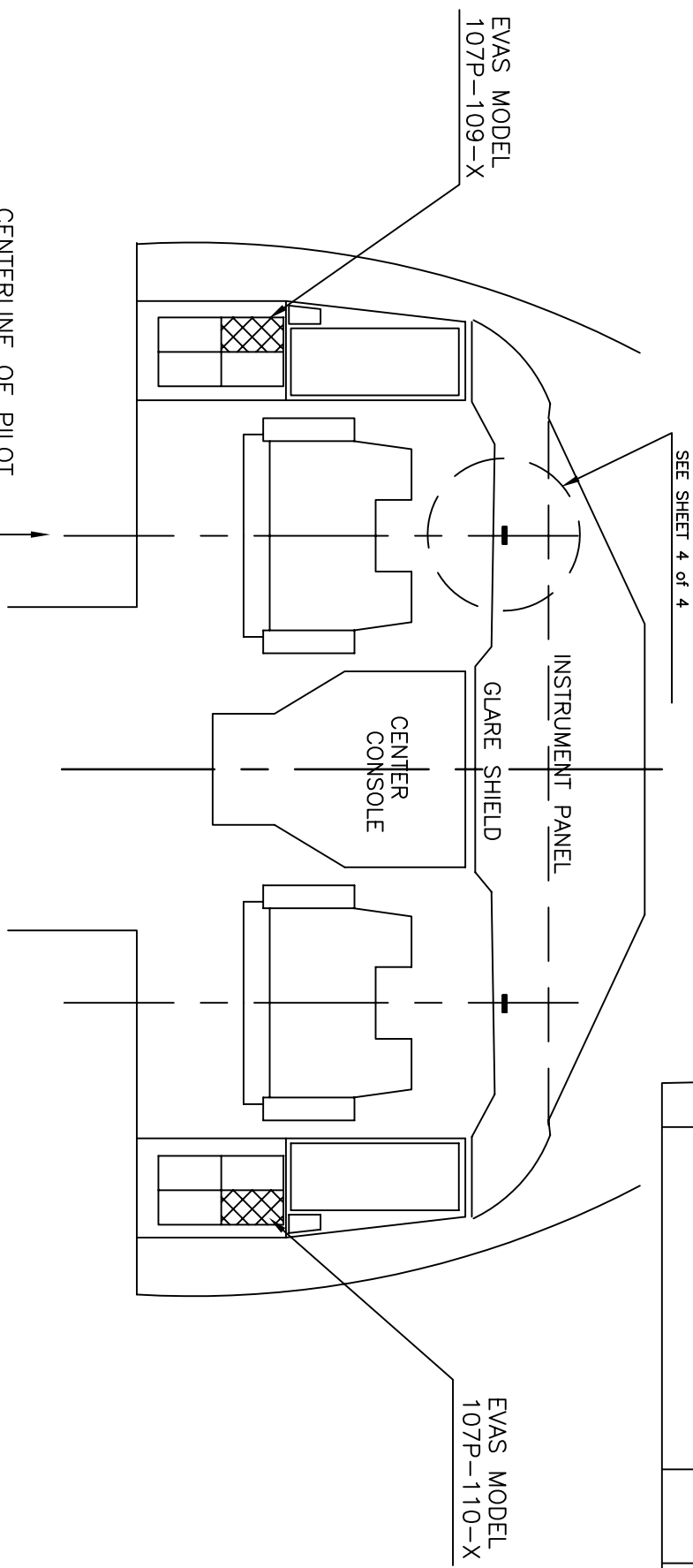


NOTES: UNLESS OTHERWISE SPECIFIED
 1. COCKPIT DESIGN IS GENERIC AND NOT AIRCRAFT SPECIFIC
 2. -X REFERS TO ALL 107P-109 & -110 SUB MODELS



REVISIONS

REV	DESCRIPTION	DATE	APPROVAL
A	UPDATED MODEL #, TITLE BLOCK, 'USED ON' AND NOTES	01/03/05	CBKW

CENTERLINE OF PILOT SEAT, CONTROL WHEEL AND FLIGHT INSTRUMENTS

ITEM NO.	QTY	FSCM NO.	PART OR IDENTIFYING NO.	NOMENCLATURE OR DESCRIPTION	MATERIAL SPECIFICATION	NOTE
UNLESS OTHERWISE SPECIFIED DIMENSIONS ARE IN INCHES. TOLERANCES ARE FRACTIONS DECIMALS ANGLES						
PARTS LIST						
CONTRACT NO.				VISION SAFE CORPORATION		
APPROVALS				P.O.Box 5011 Kaneohe, HI 96744-5011 (USA)		
DRAWN HEW				EVAS MODEL 107P-109-X & -110-X		
DATE 03/09/04				INSTALLATION: VARIOUS FALCON		
CHECKED				SIZE FSCM NO.		
ENGR				DRG NO. 6004		
G.A.				SCALE NONE		
DD NOT SCALE DRAWING				LOCATION 6004001A		
APPLICATION				SHEET 1 of 4		

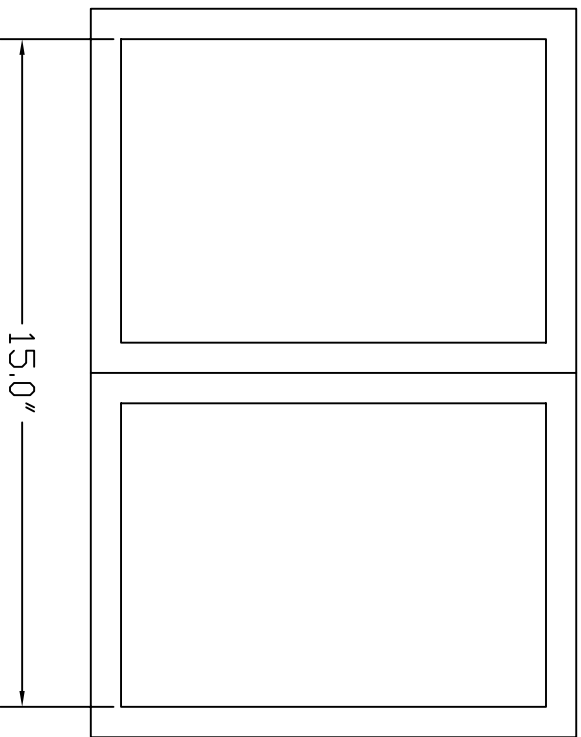
2

1

INSTALLATION OF EVAS 107P-109-X & -110-X

NOTE: BEFORE INSTALLING EVAS, MEASURE THE HORIZONTAL WIDTH OF THE INSTRUMENT CLUSTER TO BE COVERED BY EVAS (SEE SKETCH BELOW).

THIS INSTRUMENT CLUSTER WIDTH MUST NOT EXCEED THE MAXIMUM MEASUREMENT SHOWN. IF THE WIDTH DOES EXCEED THE MEASUREMENT SHOWN, CONTACT VISION SAFE CORP FOR AN APPROPRIATE INFLATABLE VISION UNIT.



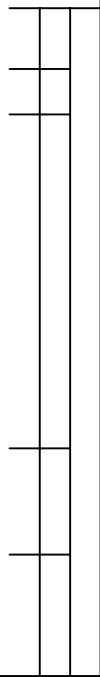
2

1

SIZE	FSCM NO.	DRG NO.	REV.
B		6004	A
SCALE	LOCATION	SHEET 2 of 4	
	6004002A		

2

1



INSTALLATION OF EVAS 107P-109-X & -110-X

EVAS UNIT

1. EVAS MODELS 107P-109-X & -110-X ARE DESIGNED TO FIT THE PILOT FLIGHT DATA CASE WITHOUT ALTERATION. AS THE EVAS IS SELF-CONTAINED, NO ADDITIONAL INSTALLATION IS NEEDED.

2. THE INDICATED LOCATION IS A SUGGESTION. AS EVAS IS LOOSE EQUIPMENT, IT MAY BE STORED IN ANOTHER CONVENIENT LOCATION ACCESSIBLE TO THE PILOT. HOWEVER, PRIOR TO DEPLOYING EVAS, THE UNIT MUST BE ON THE OUTBOARD SIDE OF THE PILOT AND WITHIN ARMS REACH OF THE GLARE SHIELD.

VELCRD

1. CLEAN THE GLARE SHIELD TOP SURFACE FROM THE AFT EDGE FORWARD 5', AND 3' TO EACH SIDE OF THE LONGITUDINAL CENTERLINE THROUGH THE CONTROL WHEEL.
2. CEMENT 1'x5" LOOP VELCRD TO THE GLARE SHIELD. LOCATE THE VELCRD AS SHOWN ON SHEET 4 OF 5. USE DEVCON TWO-TON EPOXY CEMENT.

DOCUMENTATION

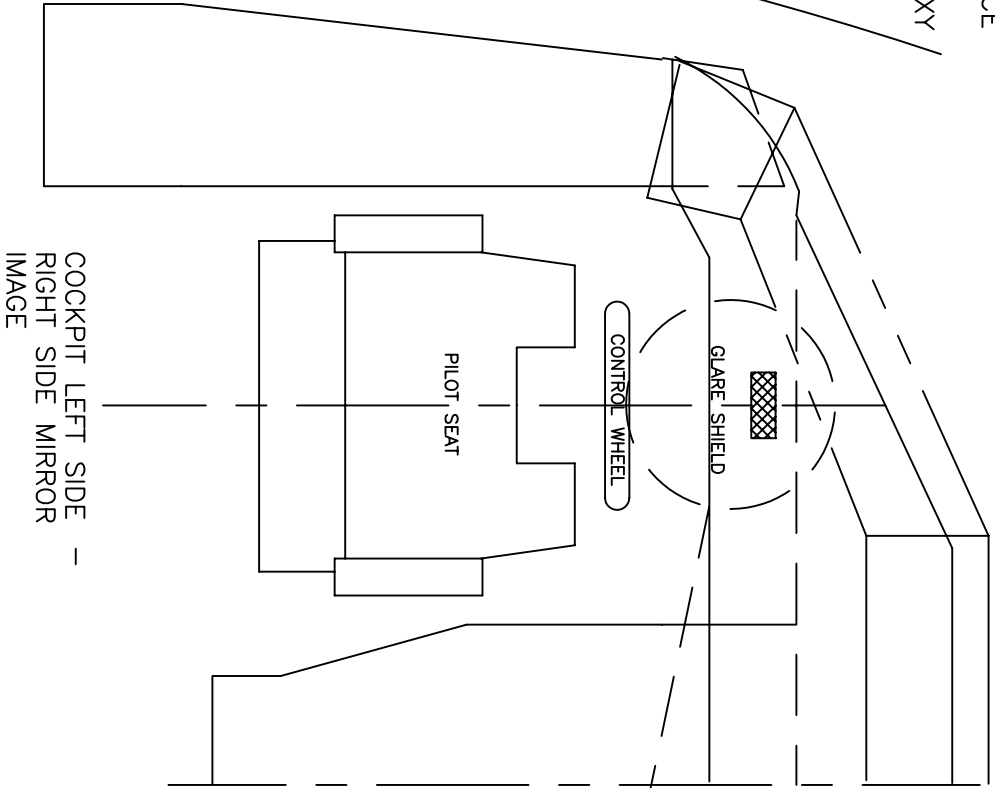
1. IN THE OPERATING MANUAL, FLIGHT MANUAL, OR CHECK LIST, AS APPROPRIATE, ADD "DEPLOY EVAS" TO EACH SMOKE EMERGENCY PROCEDURE. USE PERMANENT METHODS COMMENSURATE WITH THE ORIGINAL DOCUMENT, SUCH AS TYPEWRITTEN, PLASTIC-COATED LABEL, ETC.

SIZE	FORM NO.	DRG NO.	6004	REV.	A
B					
SCALE	LOCATION	6004003A	SHEET 3 of 4		

2

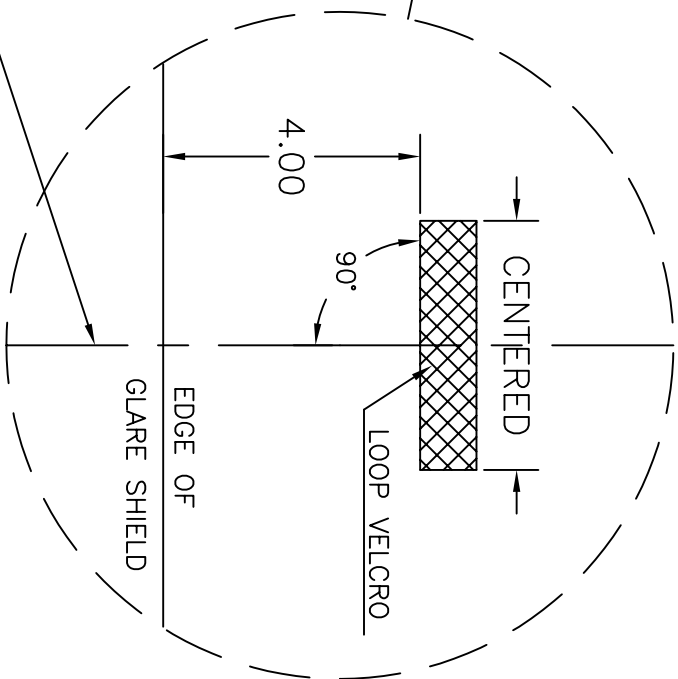
1

- NOTE:
1. CLEAN SURFACE
 2. USE DEVCON TWO TON EPOXY



THE INFORMATION CONTAINED HEREIN IS PROPRIETARY AND CONFIDENTIAL TO VISION SAFE CORP., AND SHALL NOT BE DISCLOSED OR COPIED, IN WHOLE OR IN PART WITHOUT THE WRITTEN CONSENT OF VISION SAFE CORP.

IVU VELCRO INSTALLATION



NOTE: CENTERLINE OF PILOT SEAT, CONTROL WHEEL AND PRIMARY FLIGHT INSTRUMENTS. NOTE: GLARE SHIELD EDGE ANGLE IS NOT AIRCRAFT SPECIFIC. VELCRO CENTER SHOULD BE AS INDICATED.